

Prestige Compact IR

Passive Infrared Detector

INSTALLATION INSTRUCTIONS



THANK YOU FOR VOTING TEXECOM
Ask your distributor today for the Texecom full colour Product Guide.

Texecom

www.texecom.com

INS 244

QUALITY ASSURANCE



WARRANTY

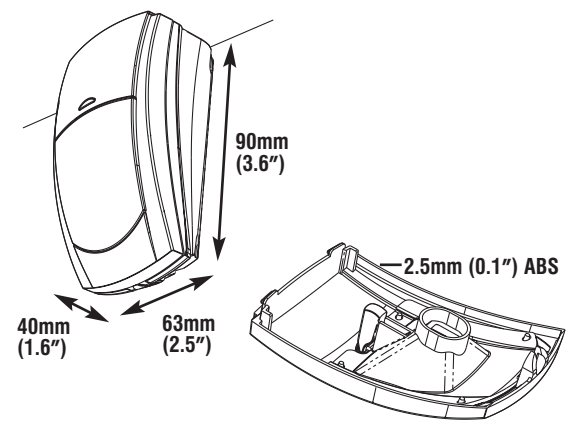
10 year replacement warranty.

The *Prestige Compact IR* is designed to detect the movement of an intruder and activate an alarm control panel. As the *Prestige Compact IR* is not a complete alarm system, but only a part thereof, Texecom cannot accept responsibility or liability for any damages whatsoever based on a claim that the *Prestige Compact IR* failed to function correctly.

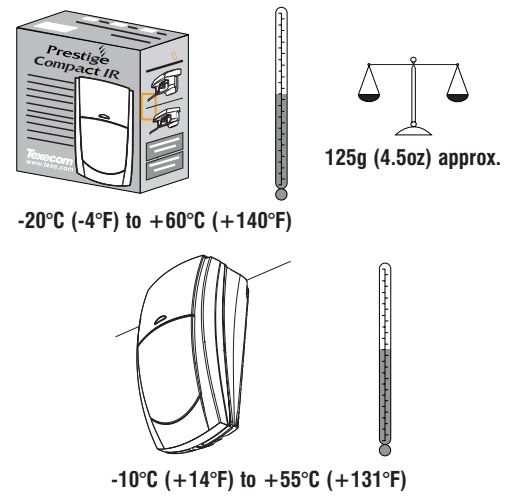
All specifications are measured at 20°C (68°F). Due to our policy of continuous improvement Texecom reserves the right to change specification without prior notice.

Document Ref: PCIR/EU/1.0
© 2003 Texecom Ltd
Registered Design Number: 3008617

1 PHYSICAL



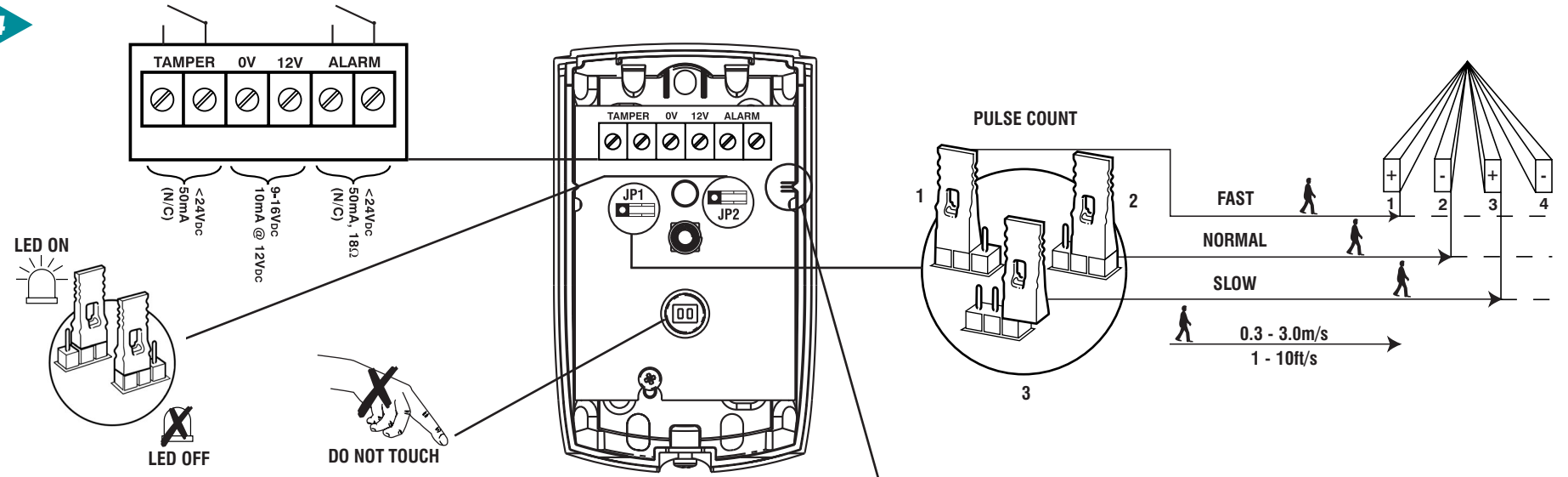
2 ENVIRONMENTAL



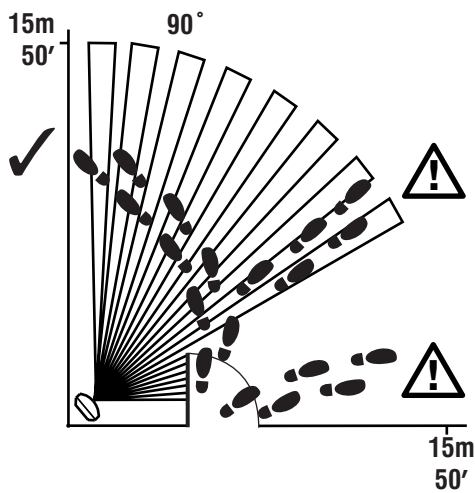
3 FALSE ALARM PROTECTION

- Design:** Noise reduction circuits with maximum ground plane.
- RF Immunity:** No false alarms from 80MHz to 1GHz at 10V/m. Complies with BS EN 61000-4-3 : 1997.
- Electrostatic Discharge:** No false alarm up to 8kV. Complies with BS EN 61000-4-2 : 1995.
- Fast Transient Immunity:** No false alarm up to ±1kV. Complies with BS EN 61000-4-4 : 1995.
- High Energy Transient Immunity:** No false alarm up to ±1kV. Complies with BS EN 61000-4-5 : 1995.
- Conducted RF Susceptibility:** No false alarms at 10Vrms. Complies with BS EN 61000-4-6 : 1996.
- Conducted Emissions:** Complies with EN 55022 Class B.
- Radiated Emissions:** Complies with EN 55022 Class B.
- EMC:** Independently certified to EN 50130-4 : 1996.
- Pulse Count:** Adjustable Pulse Count. Internal link to select.

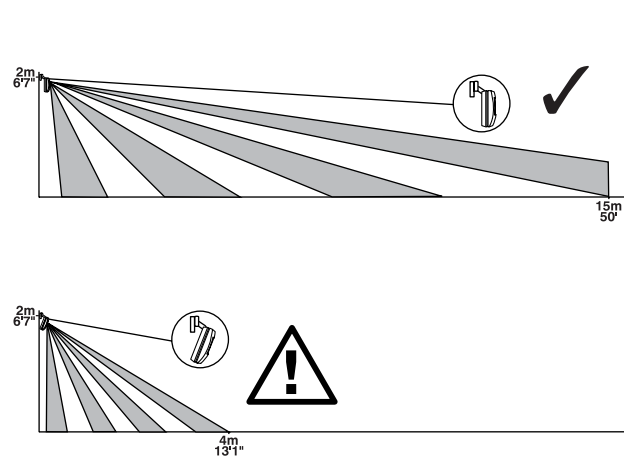
4



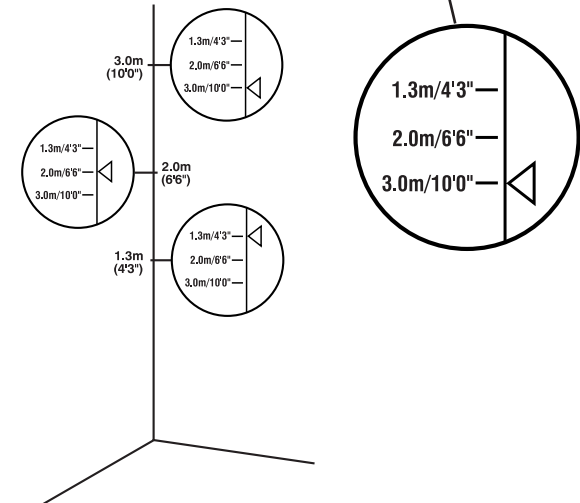
5 COVERAGE AND PICK-UP



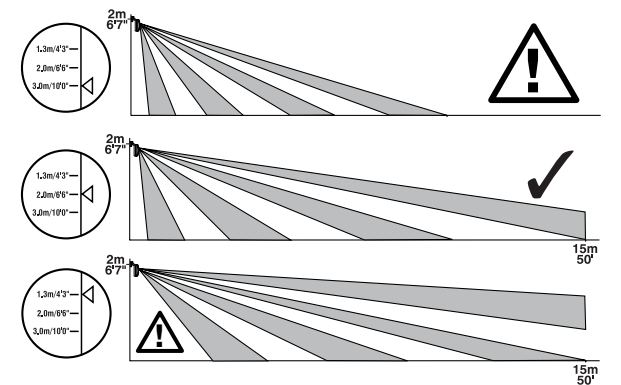
6 ANGLING THE DETECTOR



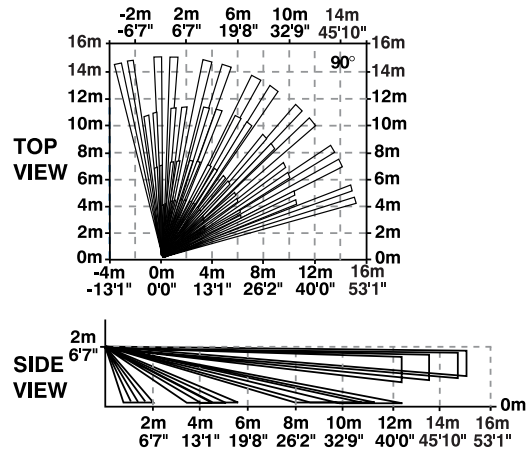
7 MOUNTING HEIGHT AND SETTINGS



8 COVERAGE AT 2m

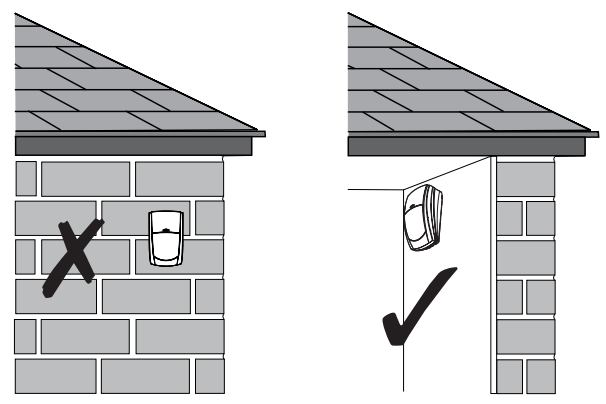


9 COVERAGE PATTERN VOLUMETRIC

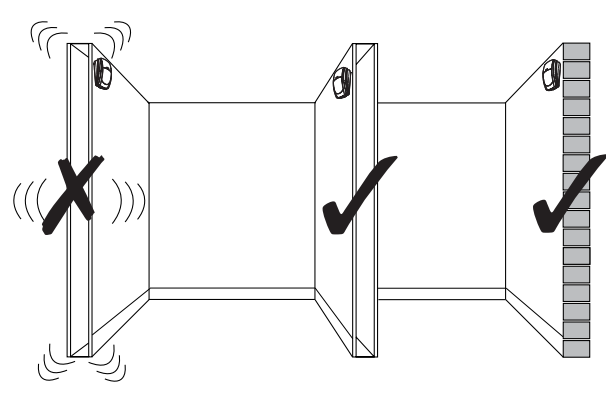


See Mounting Height Diagram (Section 7)

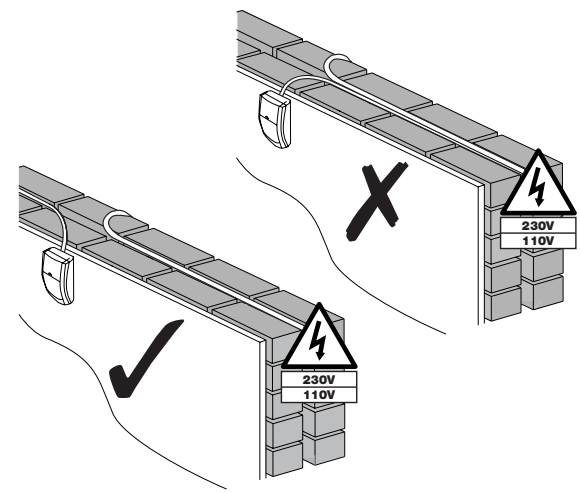
10 MOUNTING THE PRESTIGE COMPACT IR
For indoor use only



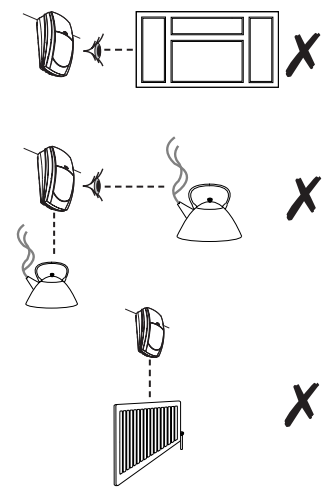
11 MOUNTING THE PRESTIGE COMPACT IR
Mount on a stable surface



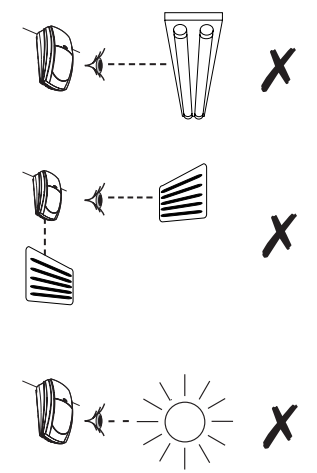
12 WIRING
Do not run cable parallel to mains wiring



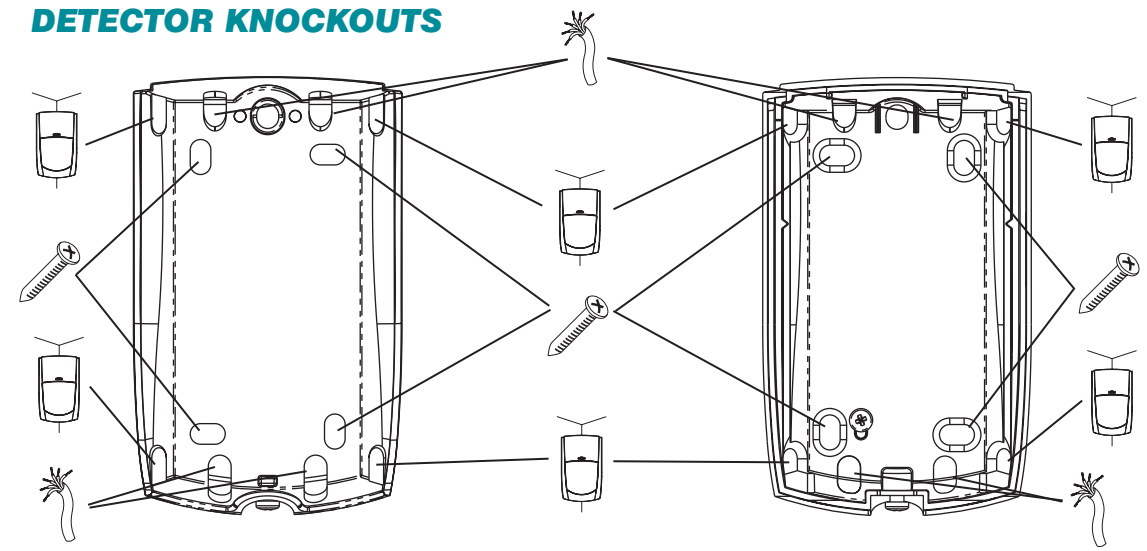
13 CHOOSING A LOCATION
Avoid common false alarm sources



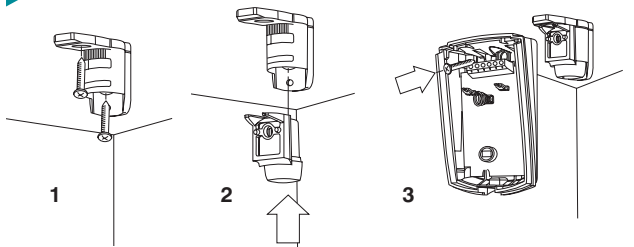
14 CHOOSING A LOCATION
Continued



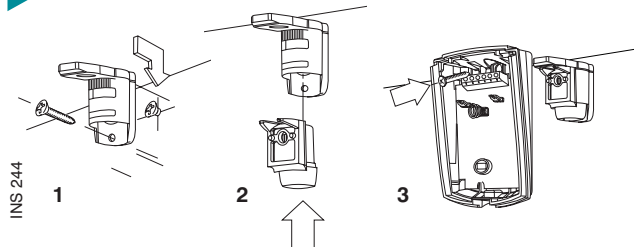
14 DETECTOR KNOCKOUTS



15 CEILING MOUNT BRACKET



16 WALL MOUNT BRACKET



17 MOUNTING WITHOUT BRACKETS

