

Prestige AMDT

Grade 3 Anti-Masking Dual Technology INSTALLATION INSTRUCTIONS



Certificate Number: FM 35285



Made In England

Texecom

www.texe.com

The leading manufacturer of award-winning security products. Ask your distributor today for the Texecom full colour Product Guide.

WARRANTY

10 year replacement warranty.

The Prestige AMDT is designed to detect the movement of an intruder and activate an alarm control panel. As the Prestige AMDT is not a complete alarm system, but only a part thereof, Texecom cannot accept responsibility or liability for any damages whatsoever based on a claim that the Prestige AMDT failed to function correctly.

Due to our policy of continuous improvement, Texecom reserves the right to change specification without prior notice. All specifications are measured at 20°C (68°F).

€ 0891

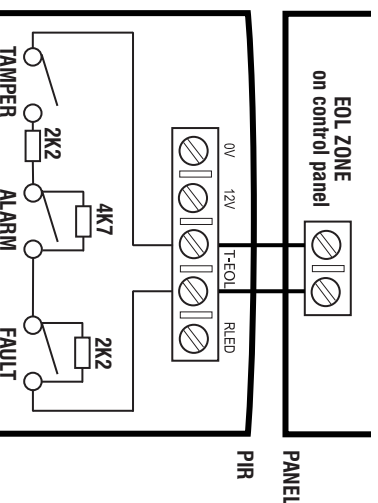
This equipment may be operated in the following countries:

9.35GHz: AUT, BEL, HRV, CYP, CZE, DNK, DEU, HUN, IRL, LVA, LTU, LUX, MLT, NLD, POL, PRT, ROU, SVK, SVN, TUR
9.96GHz: AUT, BEL, HRV, CYP, CZE, DNK, FIN, FRA, GRC, HUN, IRL, ITA, LTU, LUX, MLT, NLD, POL, PRT, ROU, SVK, TUR
10.525GHz: BEL, CYP, DNK, GRC, HUN, IRL, ITA, LVA, LTU, LUX, MLT, NLD, POL, ROU, SVK, ESP, SWE, ISL
10.687GHz: GBR

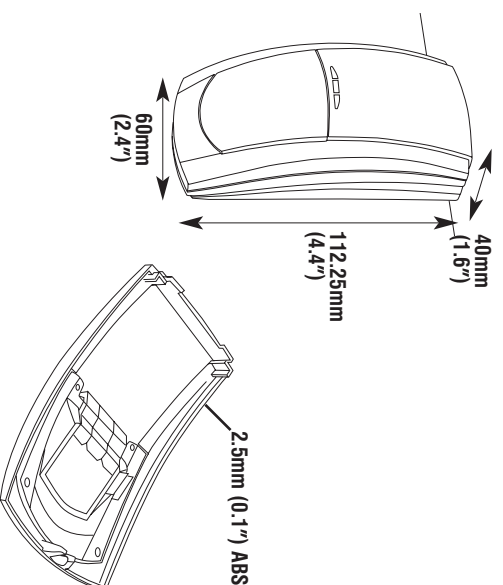
© 2003-2005 Texecom Ltd. Document Ref: PAMDT/EU1-04
 The Prestige AMDT is protected by UK & International Registered Designs. Registered Design Nos: 3004997, 3004280 & 3004261. Prestige is a trademark of Texecom Ltd.

6 TRIPLE END-OF-LINE (T-EOL)

The Prestige AMDT is designed to be connected to a single zone on control panels which feature Triple End-Of-Line compatibility. Alarm, Tamper and Masking are signalled on one pair of wires. All the connections are normally closed. Masking is signalled by the alarm and fault relays opening simultaneously.



1 PHYSICAL



4 DECLARATION OF CONFORMITY

This declaration is valid for the following product:

Device type: Dual Technology Detector - DT10007-x
 Product Name: Prestige DT/AMDT
 Equipment Classification: Short Range Device, Class 2
 Notified Body Number: 0891
 R&TE Directive: 1999/05/EC

The assessment of this product has been based on the following standards:

EN 55022 : 1998 Emission Standard for Information Technology Equipment.
 EN 50130-4 : 1996 Immunity Standard for Fire Intruder and Social Alarm Systems.
 BS EN 60950-1 : 2002 Low Voltage Devices - Electrical Safety
 ETSI EN 300 440-1 : 2001 Radio standard for short range devices (9kHz - 40GHz)
 ETSI EN 301 489-3 : 2002 EMC standard for short range devices (9kHz - 40GHz)

On behalf of the manufacturer:

Texecom Ltd., 559 Wilkirkham Road, Manchester, M21 0AE
 This declaration is submitted by:

R J Austen, Managing Director
 9th September 2005

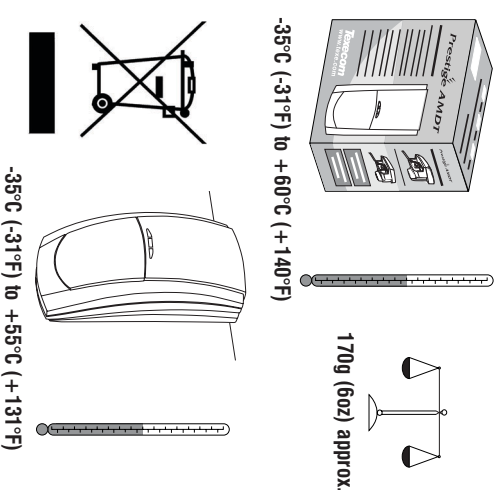
7 GRADE 3 ANTI-MASKING

- The Prestige AMDT meets the requirements of EN 50131-1 at Grade 3.
- Masking is shown by a green LED flashing.
- The detector will remain in masking until the obstruction is cleared.
- During warmup ensure that there are no obstructions in close proximity (<1m) to the detector that will not be present during normal operation, as this could trigger a false masking signal.
- During installation avoid mounting the detector where objects may interfere with the anti-masking function (<1m), above doors, near curtains.
- Masking is signalled by the fault and alarm relays opening simultaneously.

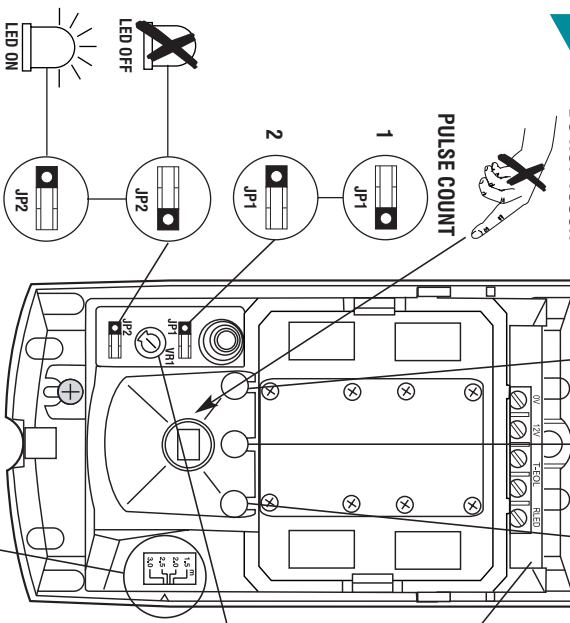
| Premier software version compatibility: | | | |
|---|----|------------------|-----|
| Premier 24: | V7 | Premier 412/816: | V10 |
| Premier 48: | V7 | Premier 832: | V3 |
| Premier 88/168: | V7 | Keypads: | V7 |
| Premier 640: | V7 | Expanders: | V7 |

On previous software versions, masking will be shown as active, fault will be ignored

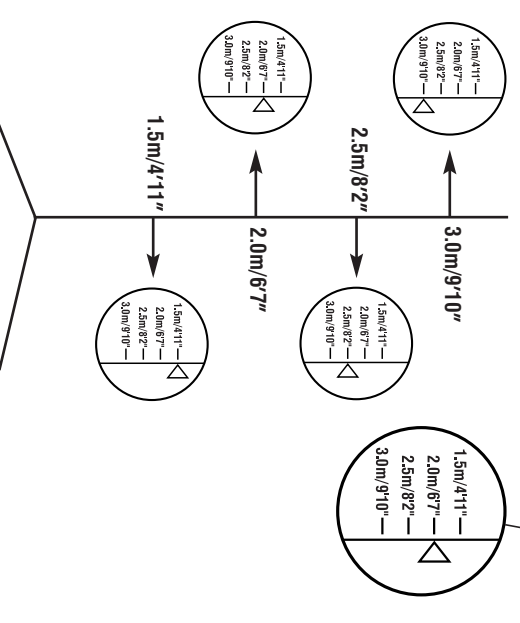
2 ENVIRONMENTAL



5 DO NOT TOUCH



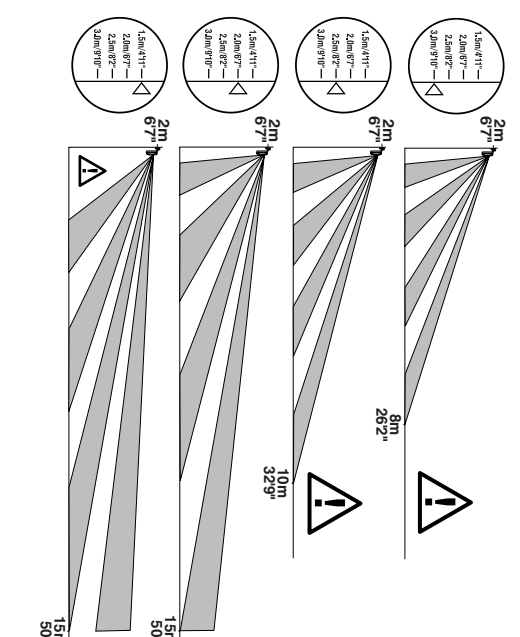
8 MOUNTING HEIGHT AND SETTINGS



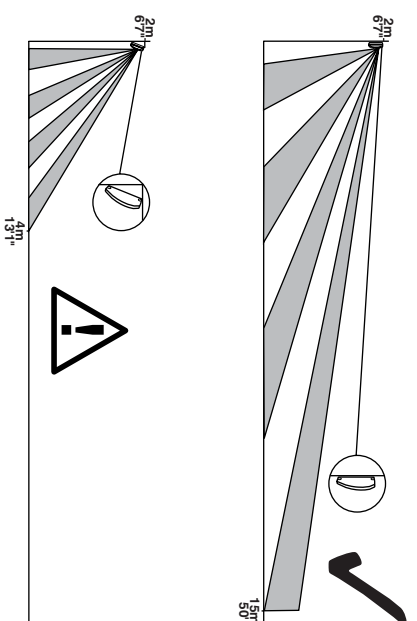
3 STANDARDS & APPROVALS

| | |
|---------------------------------|--|
| System Standard: | Suitable for use in a PD 6662/BS EN 50131-1 Grade 3 system, Environmental Class II |
| EMC: | Independently Certified to EN 50130-4 : 1996, EN 300 440-1 : 2001 and EN 301 489-3 : 2002. |
| RF Immunity: | No false alarms from 80MHz to 1GHz at 10V/m. Complies with BS EN 61000-4-3 : 2002. |
| Electrostatic Discharge: | No false alarms up to 8kV. Complies with BS EN 61000-4-2 : 1995. |
| Fast Transient Immunity: | No false alarms up to ±4kV. Complies with BS EN 61000-4-4 : 1995. |
| High Energy Transient Immunity: | No false alarms up to ±2kV. Complies with BS EN 61000-4-5 : 1995. |
| Conducted RF Susceptibility: | No false alarms at 10V/m. Complies with BS EN 61000-4-6 : 1996. |
| Conducted & Radiated Emissions: | Complies with EN 55022 Class B. |
| Electrical Safety: | Complies with EN 60950-1 : 2002. |
| Product Identifier: | AMDT |

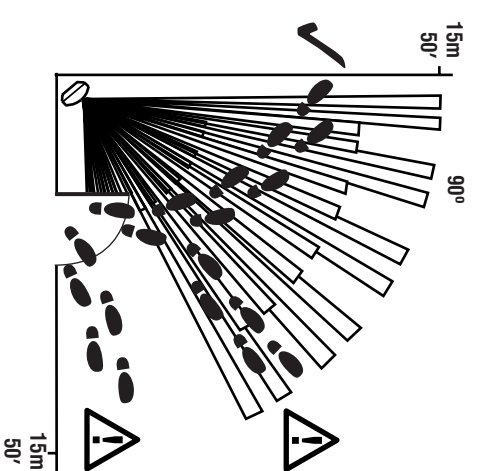
9 ALTERING COVERAGE AT 2m MOUNTING HEIGHT



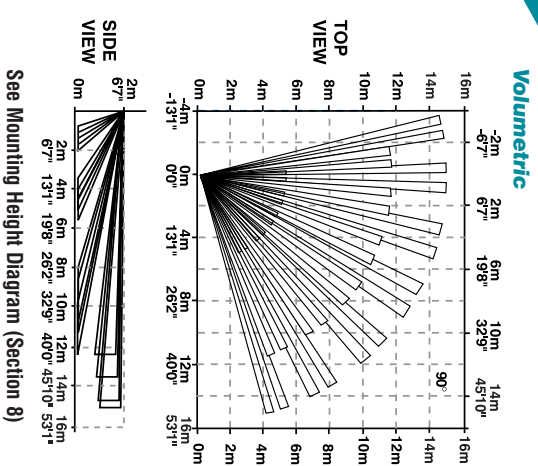
10 ANGLING THE DETECTOR



11 COVERAGE AND PICK-UP

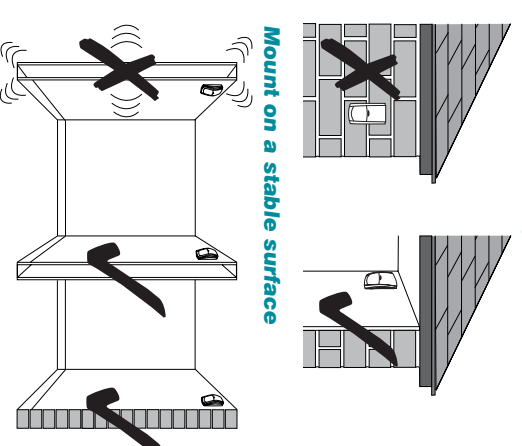


12 COVERAGE PATTERN



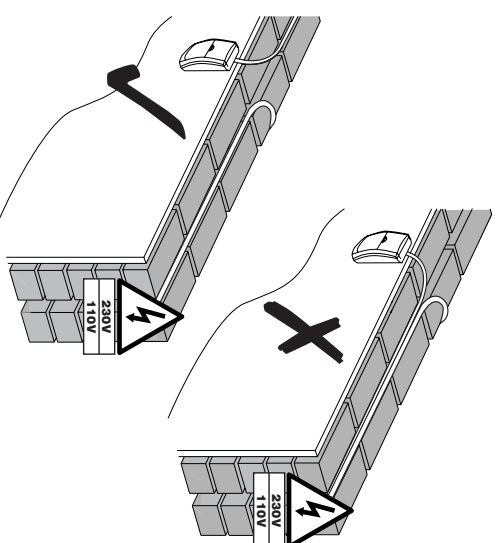
13 MOUNTING THE PRESTIGE AMDT

For indoor use only



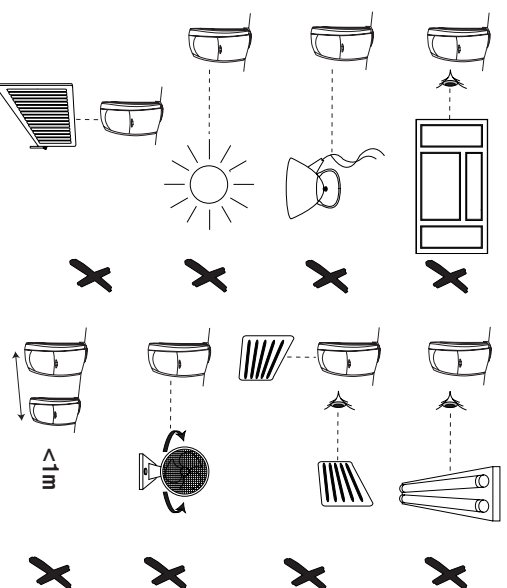
14 WIRING

Do not run cable parallel to mains wiring



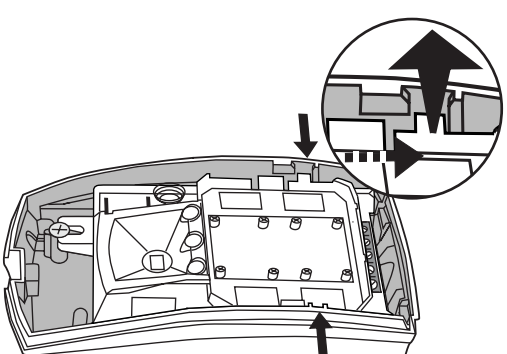
15 CHOOSING A LOCATION

Avoid common false alarm sources

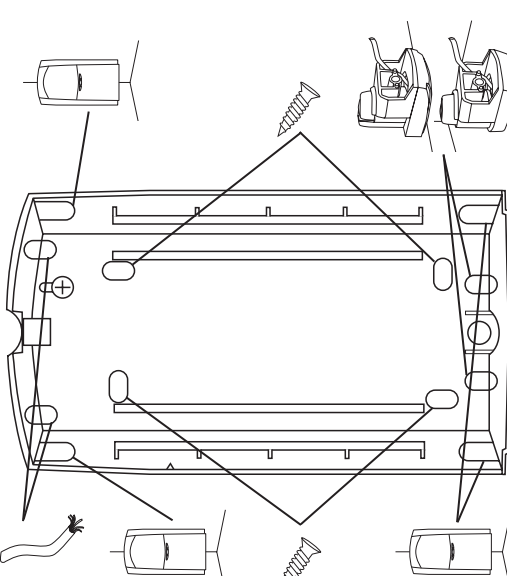


16 HOW TO REMOVE THE CHASSIS

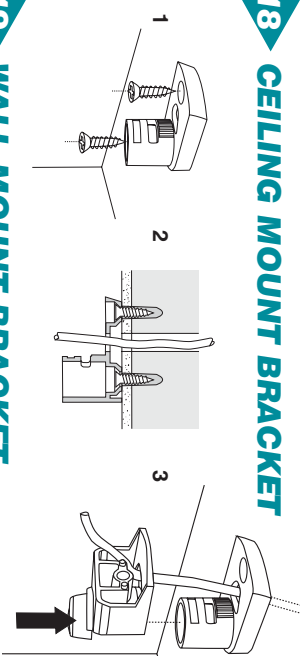
Remove chassis before mounting the detector



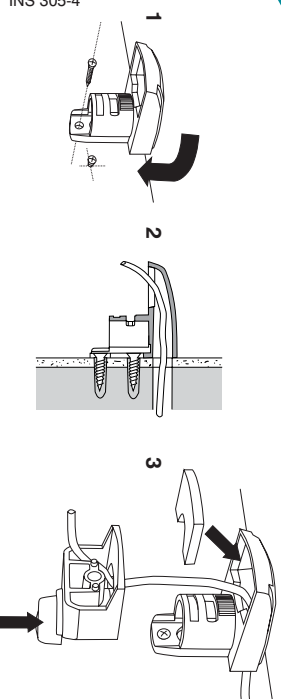
17 DETECTOR KNOCKOUTS



18 CEILING MOUNT BRACKET



19 WALL MOUNT BRACKET



INS 305-4

