

Mirage Dual Technology

Dual Technology Microwave & Infrared Detector

INSTALLATION INSTRUCTIONS



THANK YOU FOR VOTING TEXECOM

Ask your distributor today for the new Texecom full colour Product Guide.

Texecom

www.texe.com

QUALITY ASSURANCE



WARRANTY

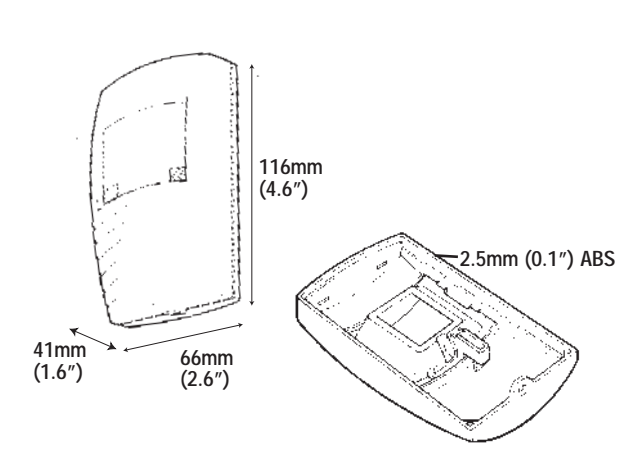
5 year replacement warranty.

The *Mirage Dual Technology* is designed to detect the movement of an intruder and activate an alarm control panel. As the *Mirage Dual Technology* is not a complete alarm system, but only a part thereof, Texecom cannot accept responsibility or liability for any damages whatsoever based on a claim that the *Mirage Dual Technology* failed to function correctly.

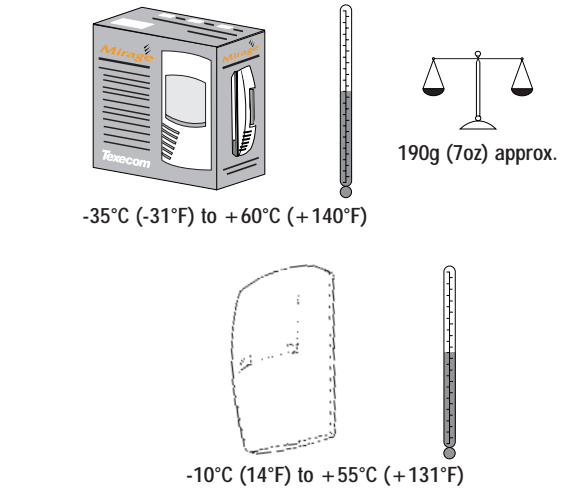
Due to our policy of continuous improvement Texecom reserves the right to change specification without prior notice. All specifications are measured at 20°C (68°F).

Document Ref: M/EU/2.0-6
© 1994 - 2004 Texecom Ltd

1 PHYSICAL



2 ENVIRONMENTAL



3 FALSE ALARM PROTECTION

Design: Intelligent **ADAPTIVE SIGNAL PROCESSING™ (ASP™)**. Noise reduction circuits with maximum ground plane.

Electrostatic Discharge: No false alarm up to 8kV air. Complies with IEC 1000-4-2.

RF Immunity: No false alarm from 150kHz to 1GHz at 10V/m 100% pulsed modulation. 30V/m 80% sinusoidal modulation. Complies with IEC 1000-4-3. Equivalent to a 270W uniform transmitter at 10ft (3m).

Fast Transient Immunity: No false alarm up to 4kV. Complies with IEC 1000-4-4.

RF Common Mode Clamp: No false alarms 150kHz to 80MHz. Complies with IEC 1000-4-6.

Conducted Emissions: Complies with IEC CISPR 22.

Radiated Emissions: Complies with IEC CISPR 22, FCC Part 15.

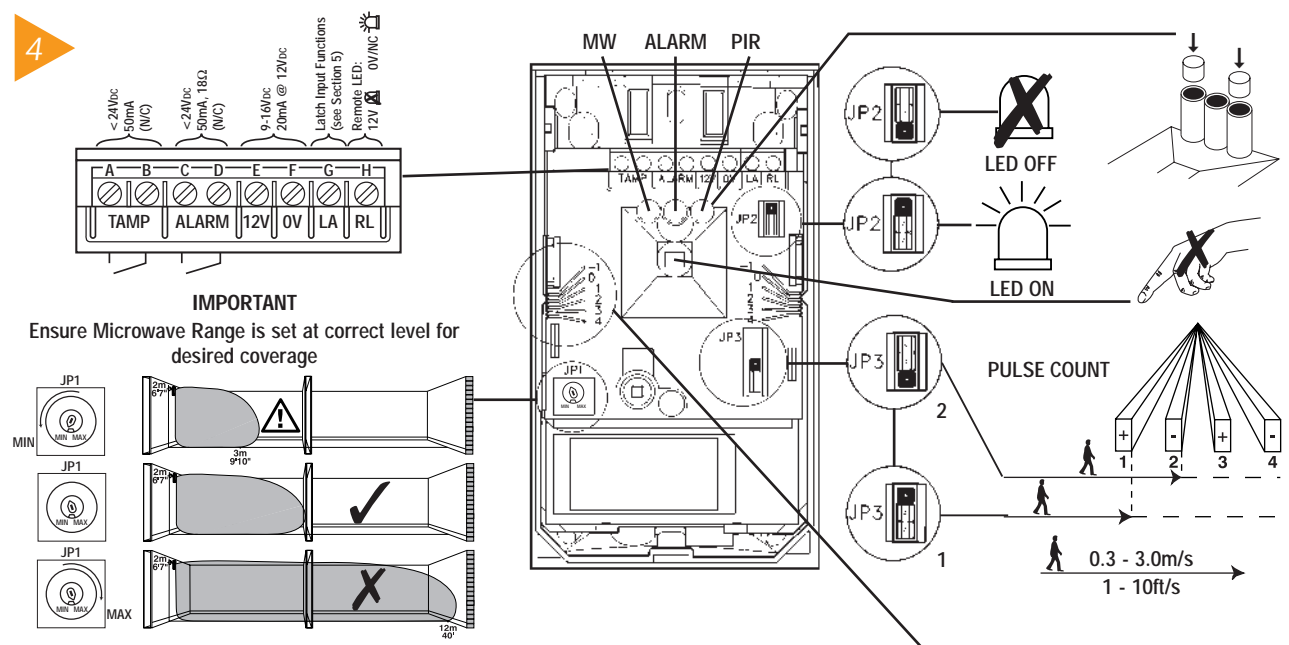
EMC: Independently certified to EN 50130-4 : 1996.

Microwave Range: Internal pot to adjust.

Approvals: Complies with: MPT 1349, I-ETS 300 440, FCC Part 15.

Pulse Count: Internal link to select.

4



5 REMOTE LED & LATCH INPUT FUNCTIONS

The latch terminal (see Section 4) can perform several different functions depending on how it is connected:

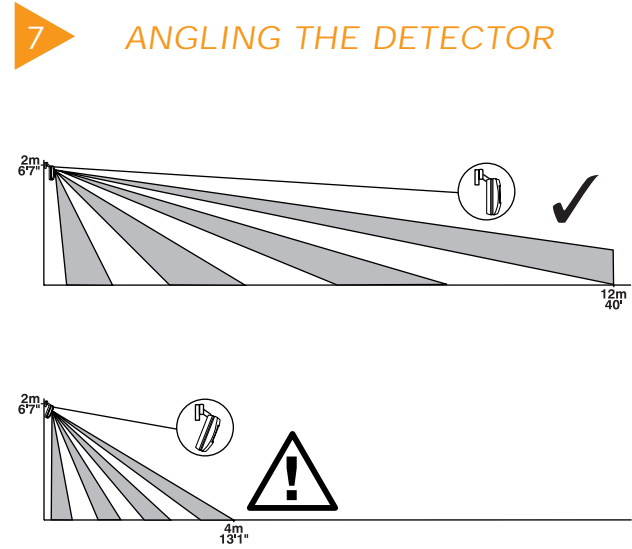
Latch connected to Set Positive (SW+, Set+): The LEDs will be disabled while the system is set. Any detectors triggered while the system is set will indicate this by permanently lighting the Alarm LED (upon unsetting the system). Detectors can be reset by taking the latch line high and then low again.

Latch connected to Alarm Positive (AL+, A+ve): The first detector activated while the system is set will indicate this with a slowly flashing Alarm LED (upon unsetting the system). Detectors which activated subsequently will indicate this by permanently lighting the Alarm LED. Detectors can be reset by taking the latch line high and then low again.

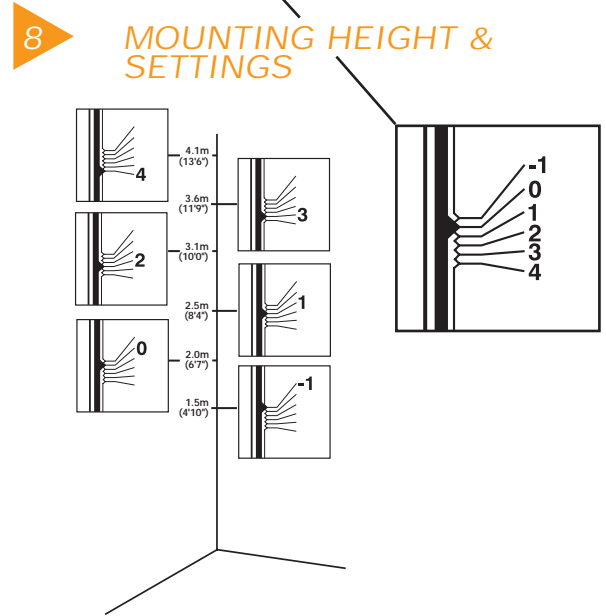
The latch input is not suitable for use on entry/exit or walk through zones.

Remote LED: Connect RL to 12V to disable the walk test LEDs. Connect RL to 0V or leave unconnected to enable the walk test LEDs.

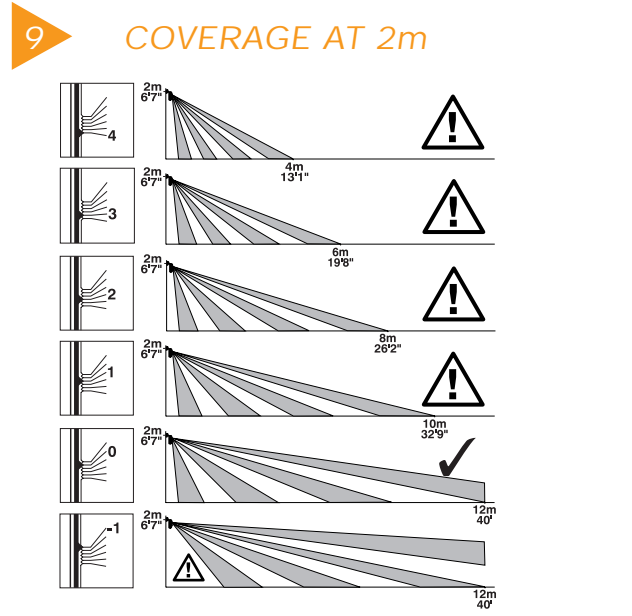
7



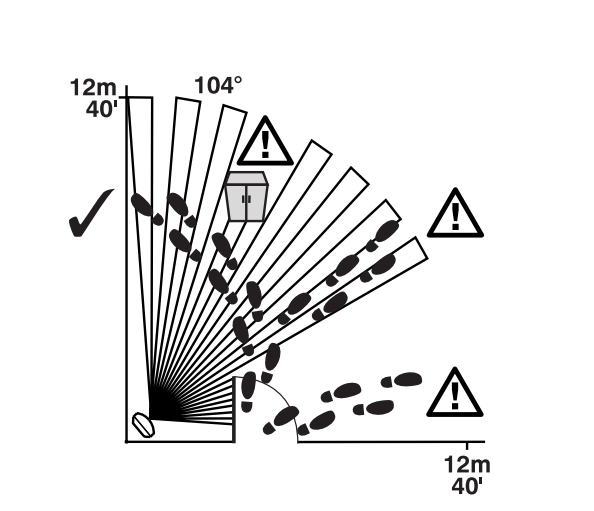
8



9

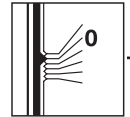
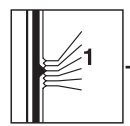
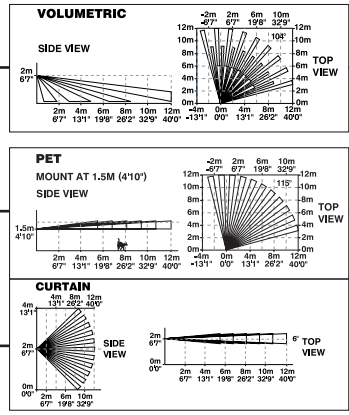


6 COVERAGE & PICK-UP

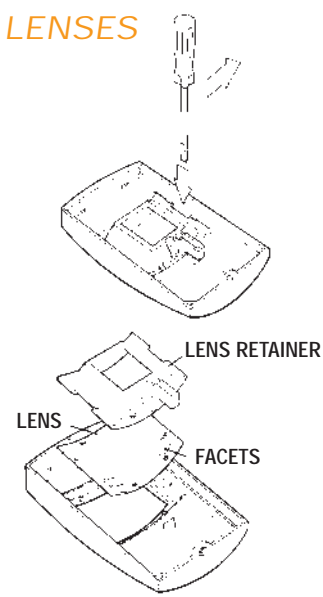


10 LENS SELECTION

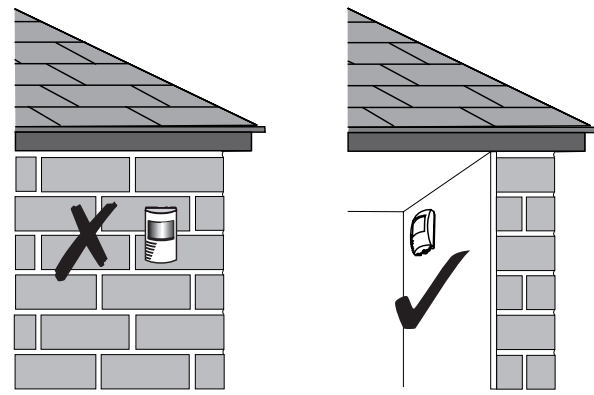
See Mounting Height Diagram (Section 8)



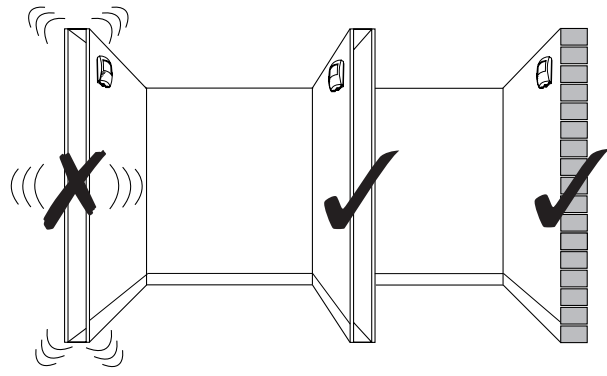
11 CHANGING LENSES



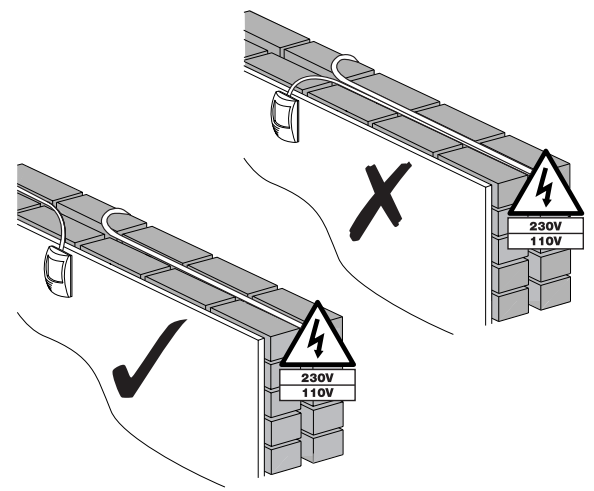
12 MOUNTING THE MIRAGE For indoor use only



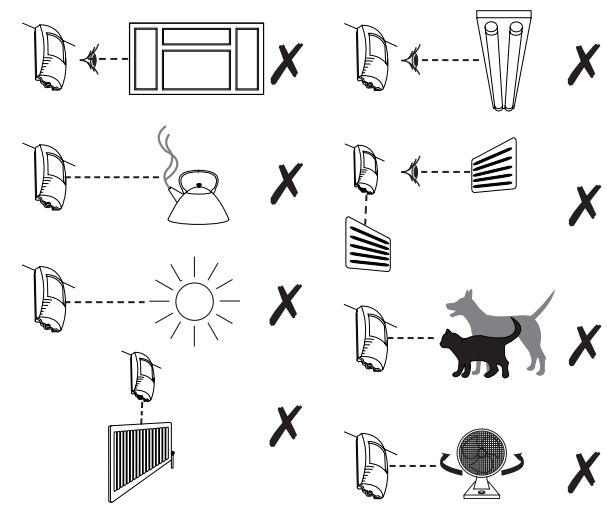
13 MOUNTING THE MIRAGE Mount on a stable surface



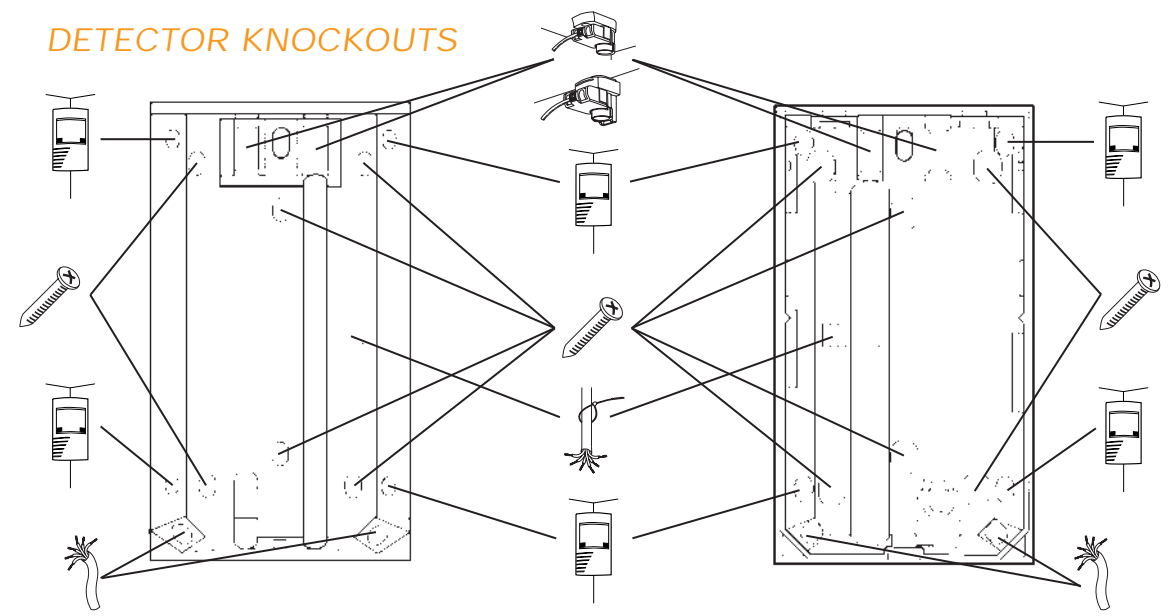
14 WIRING Do not run cable parallel to mains wiring



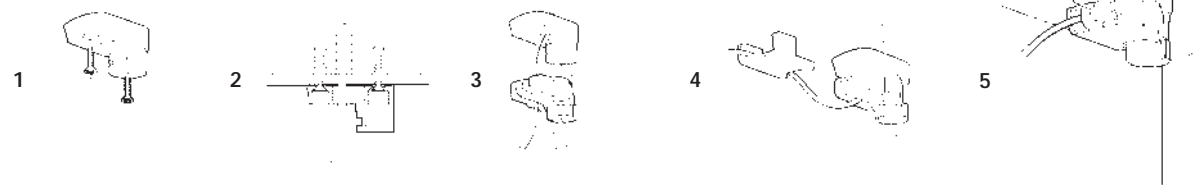
15 CHOOSING A LOCATION Avoid common false alarm sources



16 DETECTOR KNOCKOUTS



17 CEILING MOUNT BRACKET



18 WALL MOUNT BRACKET

