

Prestige XT-W/QD-W INSTALLATION INSTRUCTIONS



INS 466-2



STANDARDS

| | |
|------------------------|---|
| Alarm Systems: | EN50131-2-2, EN50131-5-3, EN50131-1, PD6662, Grade 2 Class II |
| EMC: | EN50130-4:1995: A1: A2 ETSI EN301 489-03 V1.4.1 |
| R&TTE: | ETSI EN300-220 (V2.1.1) |
| Environmental: | EN50130-5 |
| Frequency Band: | 868.0 - 868.6 MHz / 433.05 - 434.79 MHz |

BATTERY SAFETY

- Do not throw into a fire
- Do not short circuit
- Replace only with same or equivalent type
- Always observe local regulations when disposing of a battery
- Detector will transmit low battery warning when battery needs replacing
- Do not heat
- Do not charge
- Do not disassemble

WARRANTY

2 year replacement warranty (excludes battery).

The Prestige XT-W/QD-W is designed to detect the movement of an intruder and activate an alarm control panel. As the Prestige XT-W/QD-W is not a complete alarm system, but only a part thereof, Texecom cannot accept responsibility or liability for any damages whatsoever based on a claim that the Prestige XT-W/QD-W failed to function correctly.

Due to our policy of continuous improvement Texecom reserves the right to change specification without prior notice. All specifications are measured at 20°C (68°F).



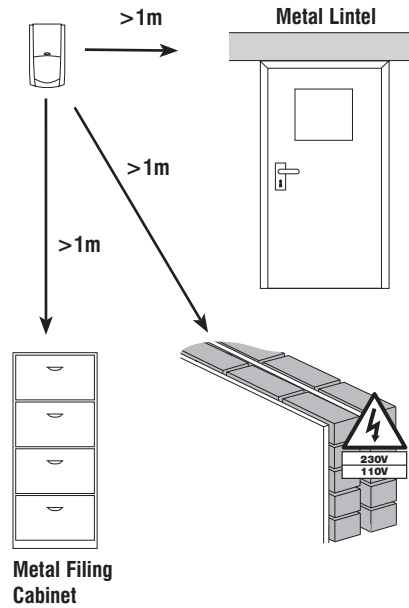
Prestige and the wireless logo are trade marks of Texecom Ltd. © 2010
The Prestige XT-W/QD-W is protected by European Registered Design. No: 3004997
B20110330 INS466-2

INTRODUCTION

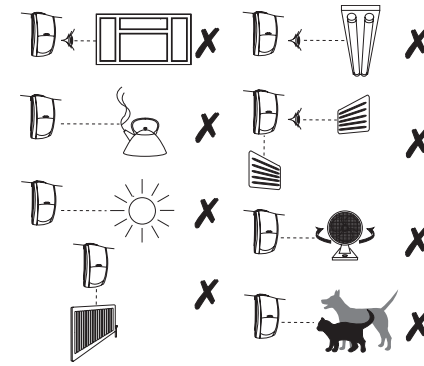
- For wireless connectivity, detailed programming and system set-up instructions please refer to the compatible RICOCHET™ technology enabled Premier wireless expander instructions.
- Featuring RICOCHET™ wireless technology the Prestige XT-W and Prestige QD-W are designed for professional security installations.

CHOOSING A LOCATION

Do not install close to large metal objects or mains wiring

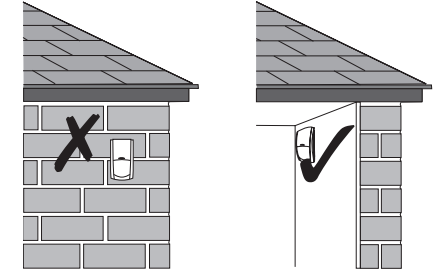


Avoid common false alarm sources

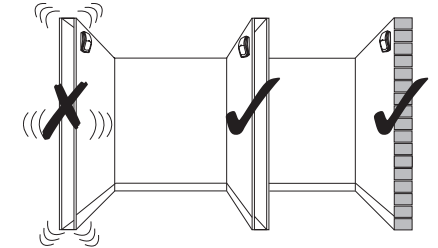


MOUNTING

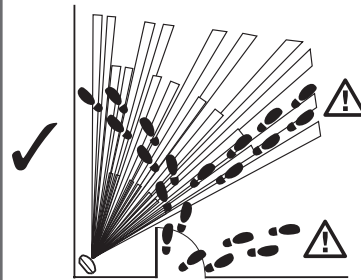
For indoor use only



Mount on a stable surface

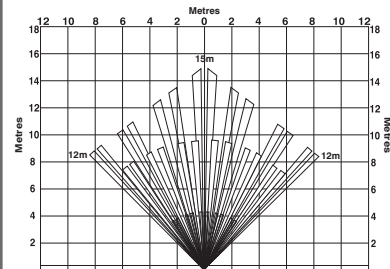


COVERAGE & PICK-UP

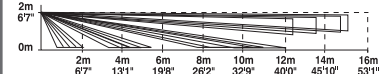


Volumetric

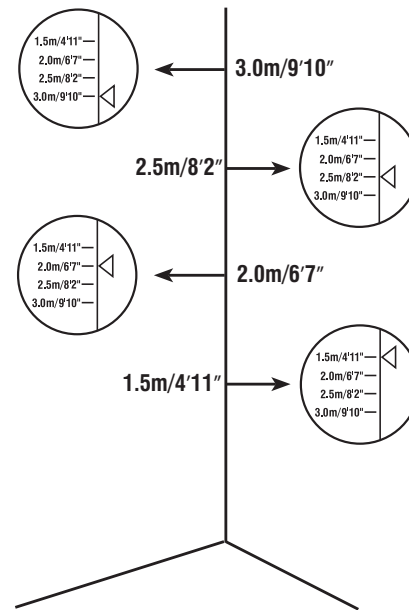
Top View



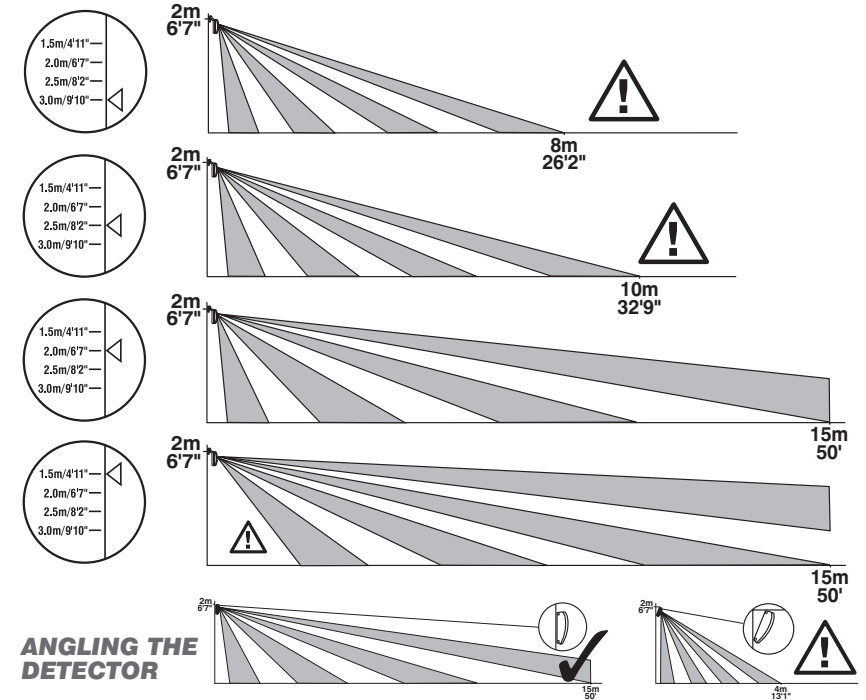
Side View



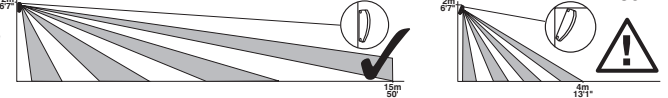
MOUNTING HEIGHT & SETTINGS



ALTERING COVERAGE AT 2m MOUNTING HEIGHT

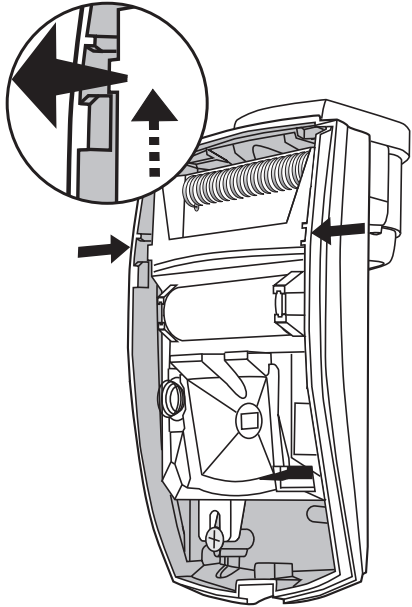


ANGLING THE DETECTOR

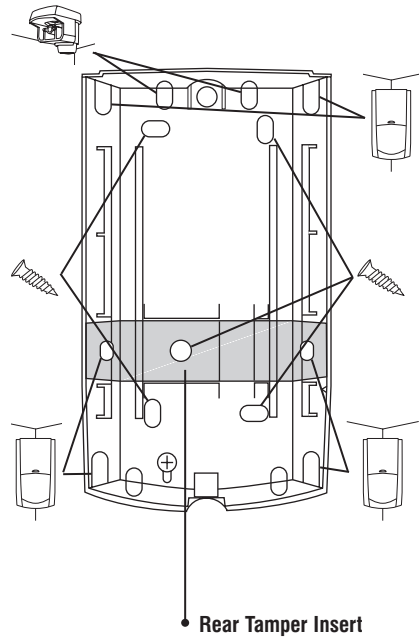


HOW TO REMOVE THE CHASSIS

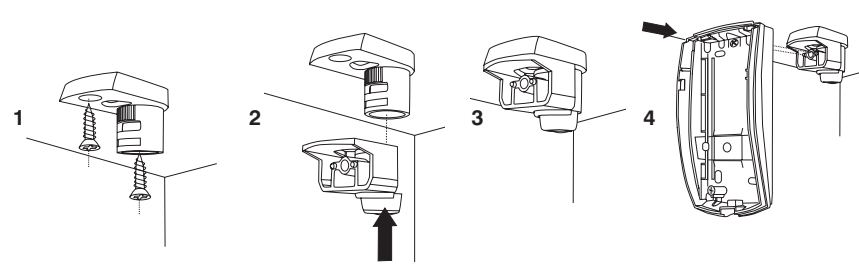
Remove chassis before mounting the detector



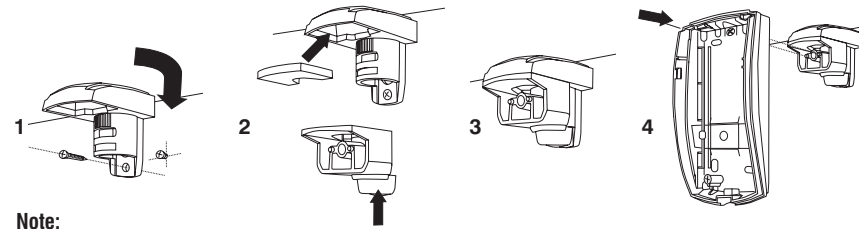
DETECTOR KNOCKOUTS



CEILING MOUNT BRACKET*

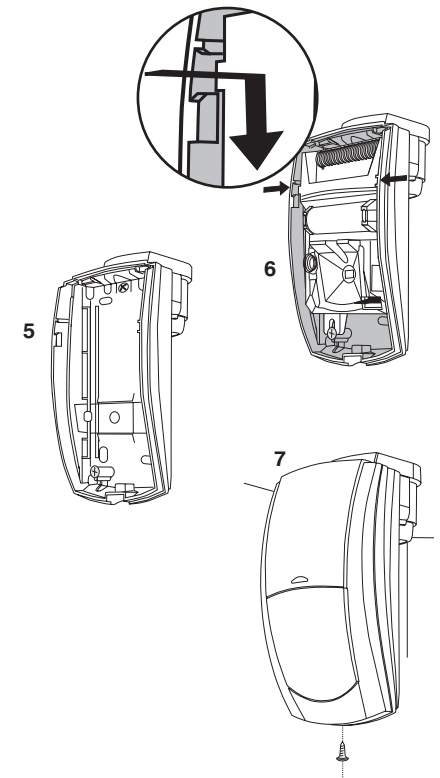


WALL MOUNT BRACKET*

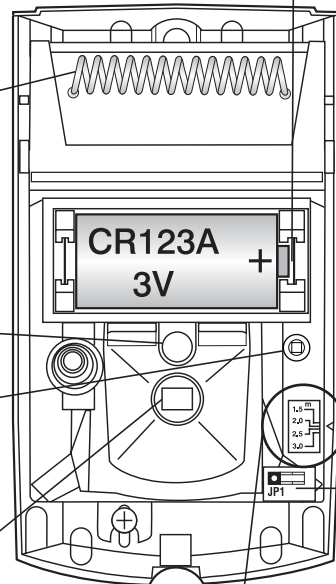


Note:
For EN 50131 compliance both the detector and the rear tamper insert must be fixed to the wall, mounting brackets should not be used.

*Available Separately



Battery Tag
Remove on installation.

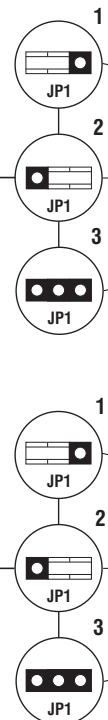


LED
Indication only available in walktest mode.
(See Premier wireless expander instructions)

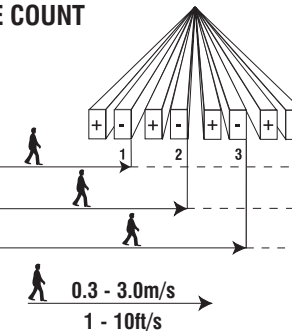
Learn Switch
Hold down during battery connection to learn device.



Mounting Height Settings



XT PULSE COUNT



QD PULSE COUNT

